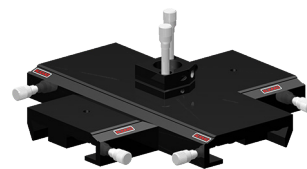


MP - Mechanical Parts

1 MP-0050 Cross-piece MG-65 with kinematic mount \varnothing 25mm

Four optical rails are combined and fixed to each other forming a 4 - way crossing. In the centre of the crossing an adjustable prism stage is provided. It has a clear hole with a diameter of 25 mm to accommodate various optical components like plates, prisms and beam splitting cubes. By means of two fine pitch screws the optical component can be tilted precisely around its perpendicular axis. Furthermore the prism stage provides the adjustment around the perpendicular axis of the optical component.



2 MP-0065 Carrier cross piece MG-65

Four optical rails are combined and fixed to each other forming a 4 - way crossing. In the centre of the crossing an M6 thread allows the attachment of the adjustable prism stage for instance.



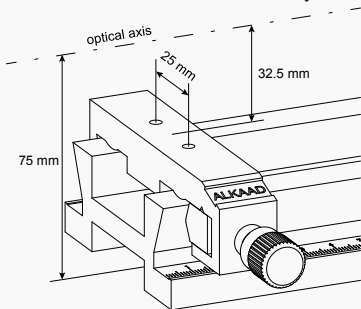
3 MP-0082 Bridge connector for two rails plus riser plate

This connector is used to connect two optical rails. By using two of them a rectangular or quadratic structure can be achieved.



4 MP-0100 Optical Bench MG-65, 1000 mm

The ALKAAD rail and carrier system provides a high degree of integral structural stiffness and accuracy. Due to this structure which is based on the reference meter of Paris is a further development optimised for daily laboratory use. The optical height of the optical axis is chosen to be 75 mm above the table surface. The optical height of 32.5 mm above the carrier surface is compatible with all other systems like from MEOS, LUHS, MICOS, OWIS and LD Didactic. Consequently a high degree of system compatibility is achieved.



5 MP-0110 Optical Bench MG-65, 100 mm

The length of this bench is 100 mm

6 MP-0120 Optical bench MG-65, 200 mm

The length of this bench is 200 mm

7 MP-0130 Optical Bench MG-65, 300 mm

The length of this bench is 300 mm

8 MP-0150 Optical Bench MG-65, 500 mm

The length of this bench is 500 mm

9 MP-0220 White screen with XY scale on block

The screen is made from matt white powder coated aluminium with a size of 40 mm x 80 mm x 3 mm. It is attached to a block with two M4 threads so that the centre of the scale is in a height of 20 mm. The screen is mounted with 2 M4x10 screws to the rotary arm of MM-0300 (see 93)

